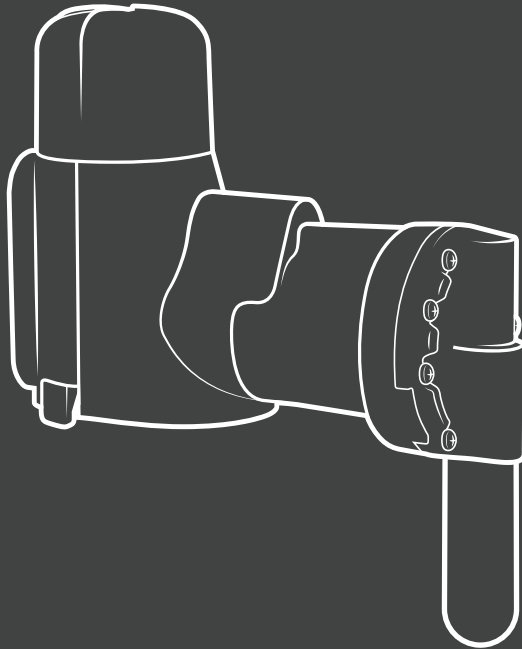


goodnature®



---

## Starter Trap Kit

Quick Start Guide • Schnellstartanleitung • Lynvejledning  
Snelstartgids • Guide de démarrage rapide • Snabbguide  
Hurtigstartveiledning • Guía de inicio rápido

*Scan QR Code for the full online instruction guide.*





## English

### Keep your hands clear from the trap's entrance at all times.

Follow our safety advice and these installation instructions in the order they appear to set up your trap correctly.

Scan the QR code at the bottom of this page to access the full A24 instructions in multiple languages.

We're here to help. You can contact us via phone or email – visit [goodnaturetrapping.com](http://goodnaturetrapping.com)

## Deutsch

### Nie mit den Händen in die Nähe der Fallenöffnung kommen.

Befolgen Sie unsere Sicherheitshinweise und diese Montageanleitung in der angegebenen Reihenfolge, um die Falle richtig zu installieren.

Scannen Sie den unten angegebenen QR-Code ein und Sie erhalten Zugriff auf die vollständige Anleitung zur A24 in verschiedenen Sprachen.

Wir sind hier, um Ihnen zu helfen. Sie können uns per Telefon oder E-Mail direkt kontaktieren – besuchen Sie [goodnaturetrapping.com](http://goodnaturetrapping.com)

## Dansk

### Hold altid hænderne væk fra indgangen til fældene.

Følg vores sikkerhedsråd og oplysningerne om installering i den rigtige rækkefølge for at opstille fældene korrekt.

Scan QR koden nederst på siden for at se den komplette A24 vejledning på flere sprog.

Vi er klar til at hjælpe. Du kan kontakte os via telefon eller mail - gå til [goodnaturetrapping.com](http://goodnaturetrapping.com)

## Nederlands

### Kom nooit met uw handen te dicht bij de ingang van de val.

Lees onze veiligheidsstips en deze installatie-instructies in de aangegeven volgorde om uw val op de juiste wijze op te stellen.

Scan de QR-code onderaan deze pagina voor toegang tot de volledige A24-instructies in meerdere talen.

We zijn er om u te helpen. Neem contact met ons op per telefoon of e-mail – ga naar [goodnaturetrapping.com](http://goodnaturetrapping.com)

## Français

### Veillez à ne jamais introduire les doigts dans l'entrée du piège.

Suivez nos consignes de sécurité et ces instructions d'installation dans l'ordre où elles sont données pour installer le piège correctement.

Scannez le QR code au bas de cette page pour accéder au mode d'emploi complet de l'A24 dans plusieurs langues.

Pour toute question, n'hésitez pas à nous contacter par téléphone ou par e-mail. Vous trouverez nos coordonnées sur [goodnaturetrapping.com](http://goodnaturetrapping.com)

## Svensk

### Se alltid till att hålla händerna borta från fällans öppning

Följ våra säkerhetsrekommendationer och dessa installationsanvisningar i den ordning de visas för att installera fällan korrekt.

Skanna QR-koden längst ner på den här sidan för att få tillgång till de fullständiga A24-instruktionerna på flera språk.

Vi finns här för att hjälpa dig. Du kan kontakta oss via telefon eller e-post – besök [goodnaturetrapping.com](http://goodnaturetrapping.com)

## Norsk

### Hold alltid hendene borte fra felleinngangen.

Følg sikkerhetsrådene våre og denne installasjonsveiledningen i korrekt rekkefølge for å sette opp fellen riktig.

Scan QR koden nederst på denne siden for å se den komplette A24 instruksjonsguiden på flere språk.

Vi er her for å hjelpe deg. Kontakt oss på telefon eller e-post – Besøk [www.goodnaturetrapping.com](http://www.goodnaturetrapping.com)

## Español

### No acerques las manos a la entrada de la trampa en ningún momento.

Para instalar la trampa correctamente, sigue paso a paso las instrucciones y los consejos de seguridad.

Escanear el código QR al final de esta página para ver todas las instrucciones del A24 en diferentes lenguas.

Estamos aquí para ayudar. Puedes contactarnos por teléfono o email. Visita [goodnaturetrapping.com](http://goodnaturetrapping.com)

# Scan the QR code for the full online instruction guide

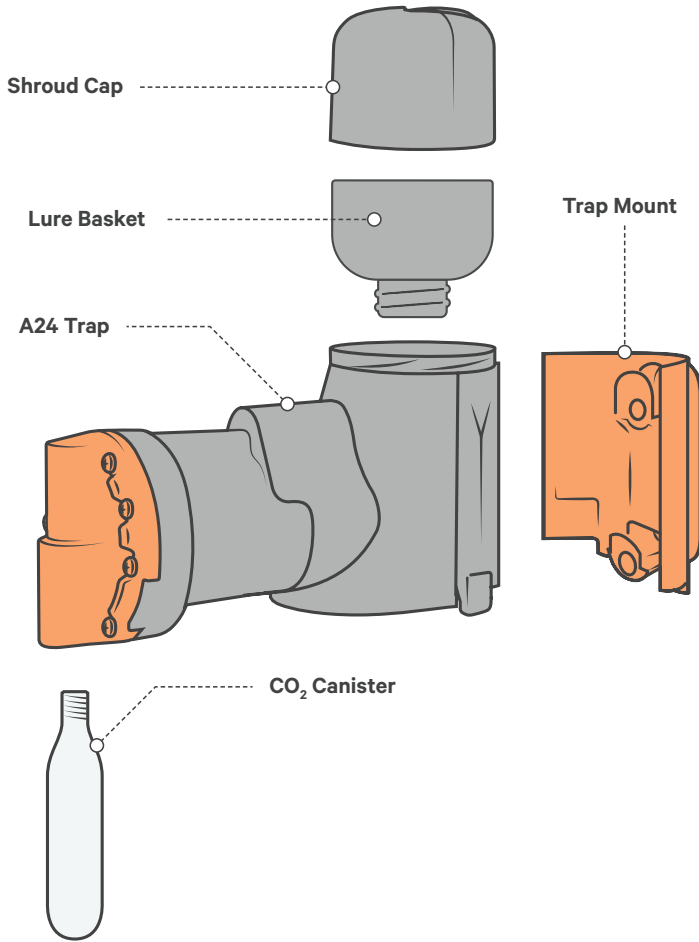
Open the built-in camera app or download a free QR code scanning app. Hold your phone over the QR code and follow the link.



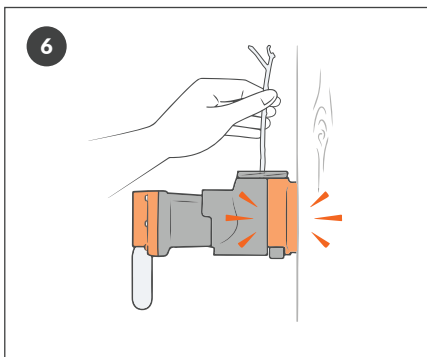
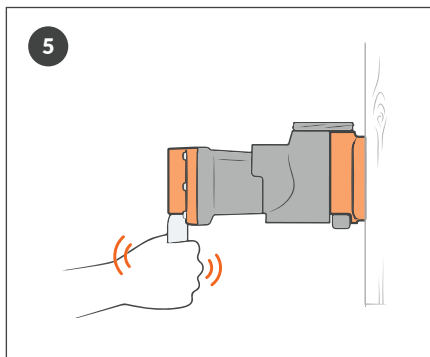
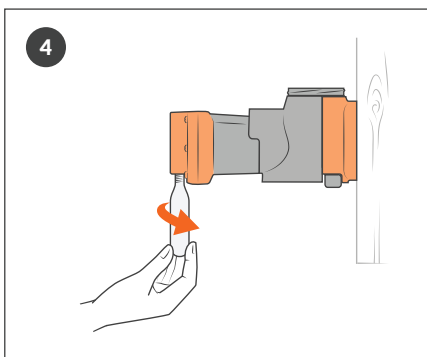
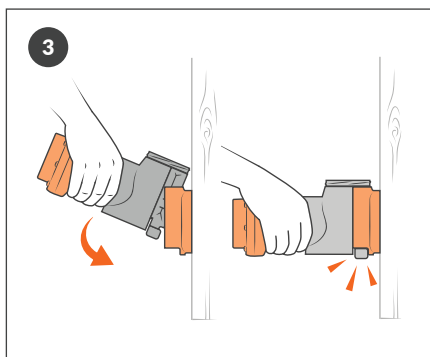
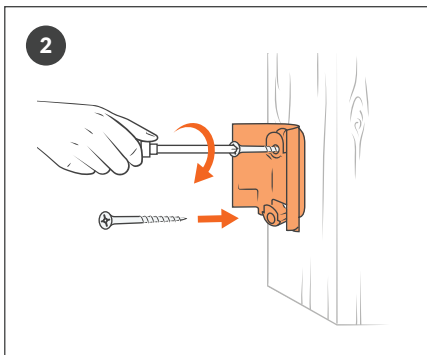
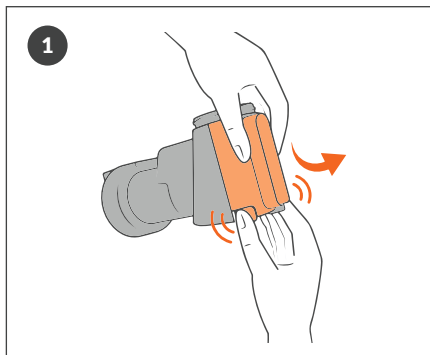
# Starter Trap Kit

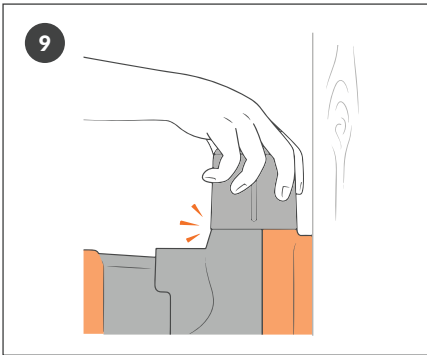
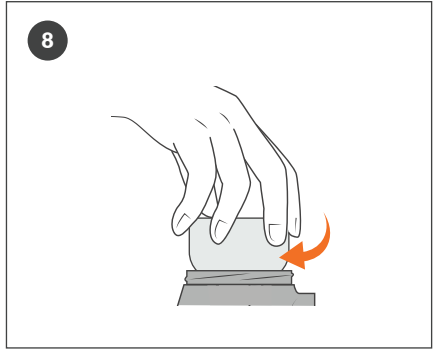
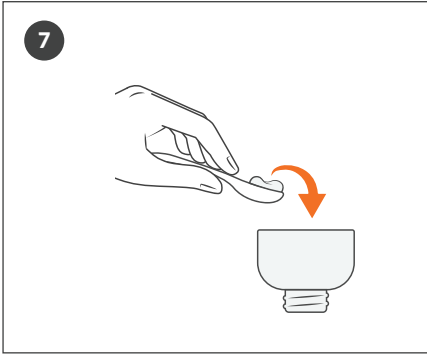
---

Our Starter Trap Kit is so cleverly designed it takes care of itself. It resets automatically over and over again for constant rodent control. It's our entry-level solution that's perfect if you want an automatically resetting trap, without all the bells and whistles yet with minimum maintenance.



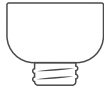
# Installation





# Top tips for success

---



## 1. Attract pests with their favorite food

---

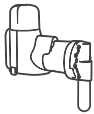
Rats and mice stick to the food source that's most familiar to them, so figure out what they're already eating - pet food, kitchen scraps, nuts or fruit - and attract them into your trap by putting that into the Lure Basket. Unsure what their current food source is? Use nut butter from your pantry.



## 3. Finding the best trapping area

---

This is the most important step when installing your trap. Look for places where rodents will stop to investigate the trap. Rodents are comfortable in places where they are hidden and covered.



## 5. Move your traps regularly

---

If you don't catch anything in the first couple of days, move your trap to a new location. Moving your trap regularly helps catch all the rodents, as there's often more than one.

**If you installed your trap onto a Trap Mount, you must remove the CO<sub>2</sub> Canister and safely test-fire your trap (step 6) before moving it to another location. Note: This will expel any remaining CO<sub>2</sub> and you will need to replace the canister with a new one.**



## 2. Top-up every 6 months

---

Replace the CO<sub>2</sub> Canister every 6 months so you always have enough charge for your trap to fire.

**IMPORTANT: Leaving the CO<sub>2</sub> Canister in the trap for more than 6 months can cause damage to the seals in the regulator and voids your trap's warranty.**



## 4. Eliminate all competing food sources

---

Rodents will ignore a new food source if they have easy access to their usual food sources.

To eliminate any competing food source, store all potential rodent food sources such as animal feed, pet food or compost in sealed rodent proof containers.

Consider using Goodnature pre-feed paste to get rodents on the scent towards your trap.



## 6. Target species

---

Our A24 trap is designed for trapping rats, mice and stoats. If you'd like to trap Grey Squirrels in the UK, check out our A18 trap. All use of traps is subject to legislation set out in the Spring Traps Approval Order for each country.

For more advice on trapping with the A24 and A18 in the UK, visit – [goodnaturetraps.co.uk](http://goodnaturetraps.co.uk)



## Warnings

- USE ONLY Goodnature CO<sub>2</sub> Canisters. Use of other canisters will void warranty
- NEVER use a petroleum-based lubricant in your trap
- ALWAYS store CO<sub>2</sub> Canisters below 49°C
- NEVER leave CO<sub>2</sub> Canisters in a vehicle on a hot day
- ALWAYS dispose of used CO<sub>2</sub> Canisters responsibly
- NEVER crush CO<sub>2</sub> Canisters or put in a fire
- NEVER allow children to play with or around traps
- NEVER submerge your trap
- NEVER use a damaged trap
- NEVER modify your trap
- ALWAYS act responsibly
- USE ONLY as recommended in this quick start guide
- ALWAYS wear appropriate safety gear when setting and firing a trap
- DO NOT install the CO<sub>2</sub> Canister until the trap is correctly mounted
- ALWAYS remove the CO<sub>2</sub> Canister and test-fire to remove final charge before removing the trap from its mounted position or moving your trap
- ALWAYS treat your trap as LIVE
- ONLY test fire your trap as directed
- NEVER put hands or objects in the entrance of the trap
- NEVER fire and re-fire the trap in quick succession
- ONLY set traps at the height recommended in this guide & be considerate of others when choosing the traps location
- Contains gas under pressure; may explode if heated
- Protect from sunlight. Store in a well-ventilated place
- UN2037 / EN16509
- Carbon Dioxide CO<sub>2</sub>, CAS: 124-38-9, 16g
- Do not ingest battery, Chemical Burn Hazard
- This product contains a coin/button cell battery. If the coin/button cell battery is swallowed, it can cause severe internal burns in just 2 hours and can lead to death
- Keep new and used batteries away from children
- If the battery compartment does not close securely, stop using the product and keep it away from children
- If you think batteries might have been swallowed or placed inside any part of the body, seek immediate medical attention



## Warranty

Our manufacturing warranty does not cover claims resulting from misuse, abnormal use, or installation contrary to instructions, transportation damage (including airline or freight damage), dropped goods, negligence, second hand product, modified product (including use of CO<sub>2</sub> canisters not supplied by Goodnature).

Leaving the CO<sub>2</sub> Canister in the trap for more than 6 months can cause damage to the seals in the regulator and voids your trap's warranty.

This trap is warranted for two years from date of purchase against defects in material and workmanship. If we determine that the product has a manufacturing fault, we will repair or replace it free of charge to you.

This trap is not covered under warranty when trap breaks during test fire and is not mounted onto the portable Trap Stand or Trap Mount at the time. Rodent damage is not covered under manufacturer warranty.

## EC & UK Declaration of Conformity of Machinery (original)

This declaration relates exclusively to the machinery in the state in which it was placed on the market, and excludes components which are added and/or operations carried out subsequently by the final user.

Product: Rat Trap / Rat and Mouse Trap, A24, used with or without the following accessories: Trap Mount, Trap Stand and Blocker.

Manufacturer: Goodnature Limited, 8 Horner Street, Newtown, Wellington 6021, NEW ZEALAND

Technical File Authorised owner: Craig Bond, 8 Horner Street, Newtown, Wellington 6021, NEW ZEALAND

This product fulfils all relevant provisions of the Machinery Directive UK Statutory Instruments 2008 No. 1597 Supply of Machinery (Safety) Regulations 2008.

Signed for an on behalf of: Goodnature Limited, Wellington

Place and date of Issue:  
Goodnature Limited, 8 Horner Street, Newtown, Wellington 6021, NEW ZEALAND, 28th June 2022.

Name, Function, Signature:  
Craig R. Bond, Director

To access the app legal and regulatory information, in the Goodnature App, select the  icon in the bottom navigation bar and select "Legal and Regulatory".



# goodnature®



[goodnaturetrapping.com](http://goodnaturetrapping.com)



Please recycle after use. This material has been printed using vegetable oil-based/mineral oil-free inks. Printed on uncoated wood-free paper produced from eucalyptus fibres and sourced from sustainable forests.